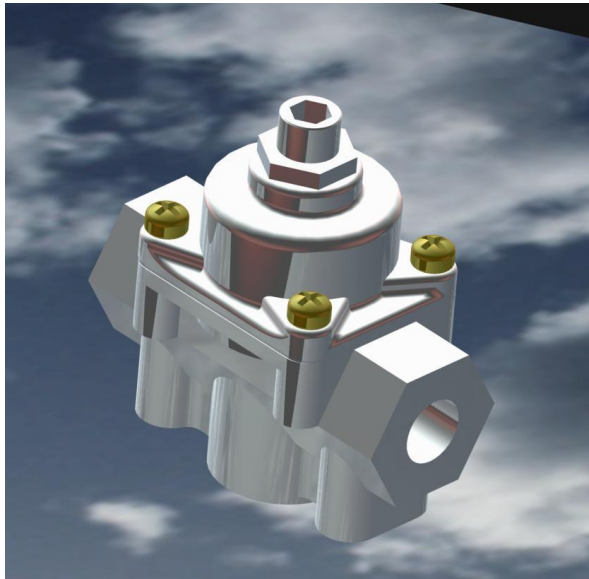


Pro/ENGINEER Students' Modeling Projects  
ME 176: Product Design and Pro/Engineer

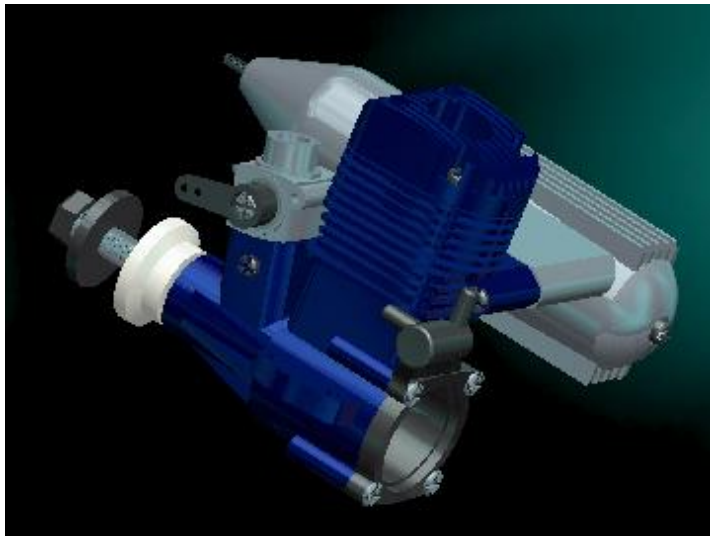
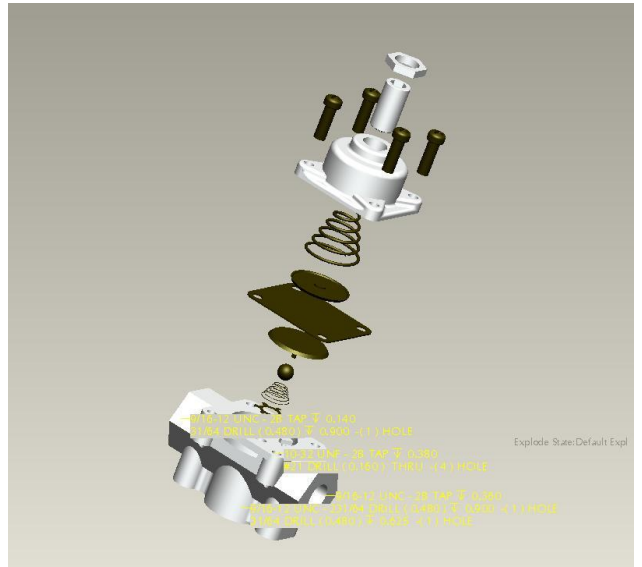
Fall 2006



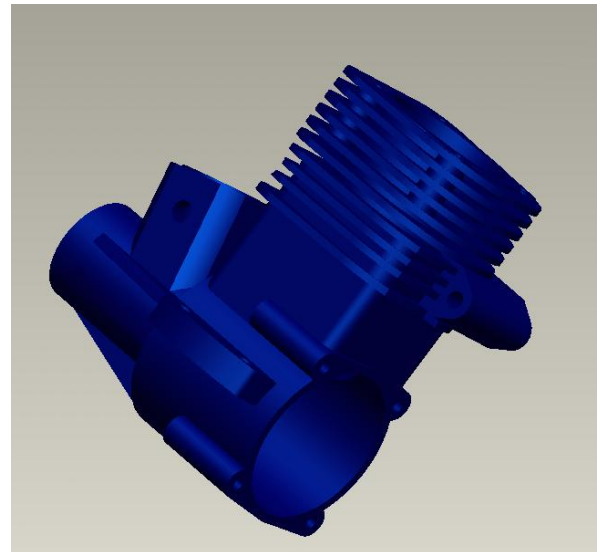
Walid Bazel & Brian Icban: Fishing Reel

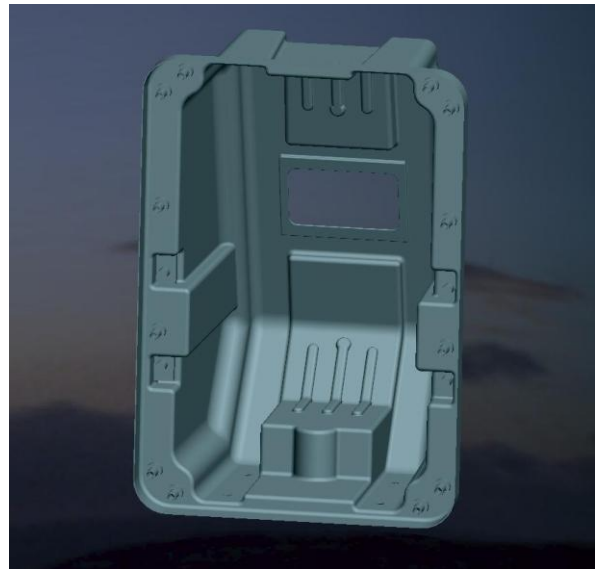
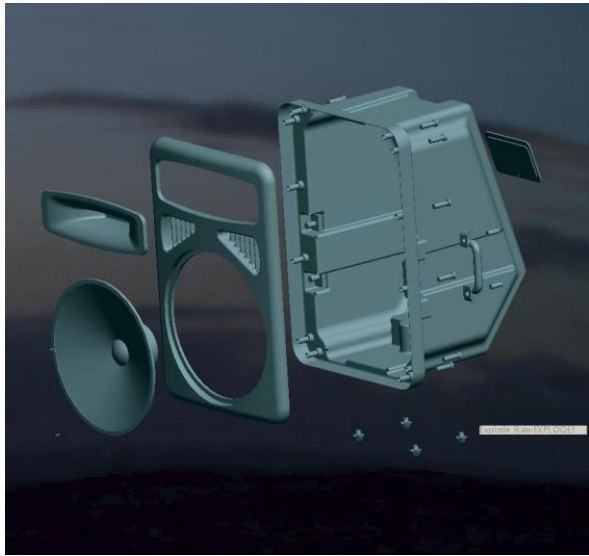


David Ciabattari: Holley Carburetor Fuel Pressure Regulator

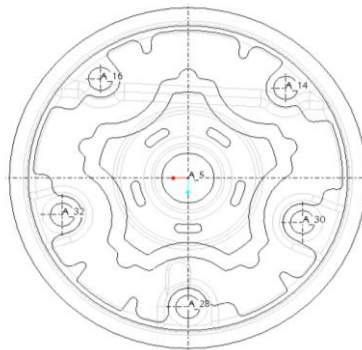


Bryan Cochetti: O.S. MAX R/C GAS ENGINE

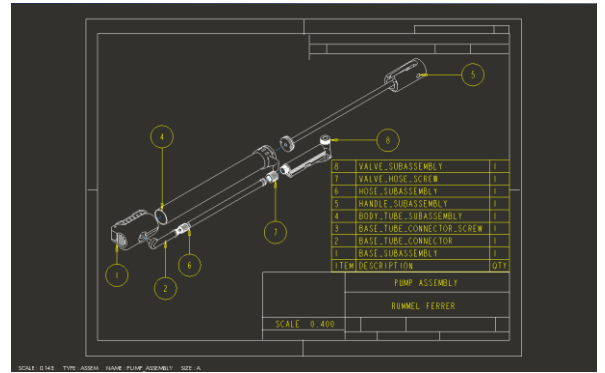
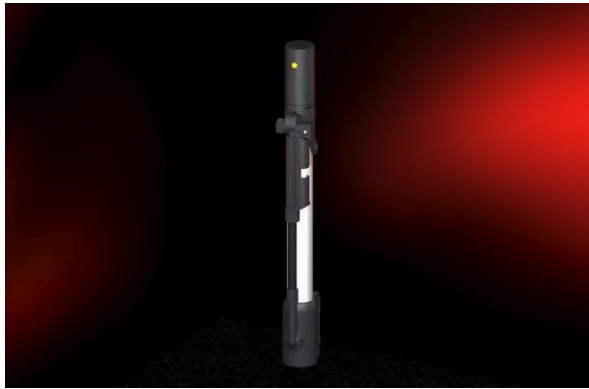




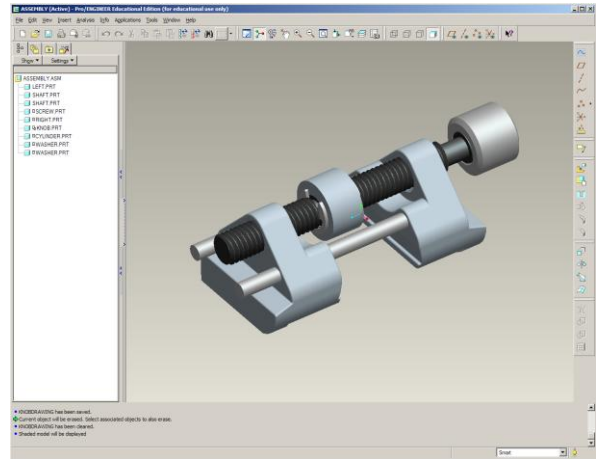
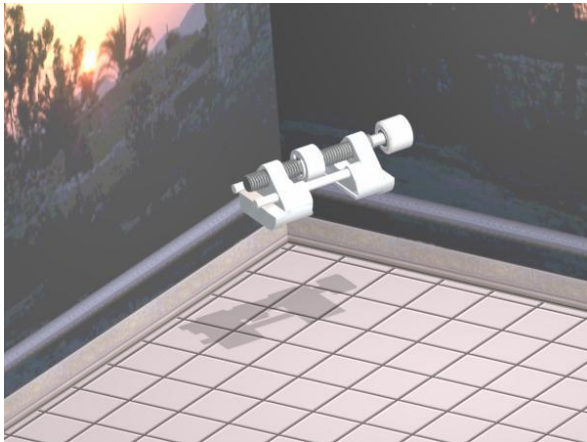
Robert Derheim: JBL Studio Speaker



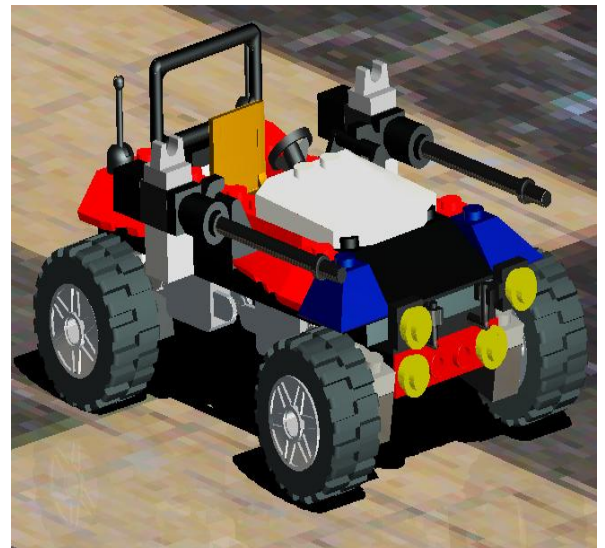
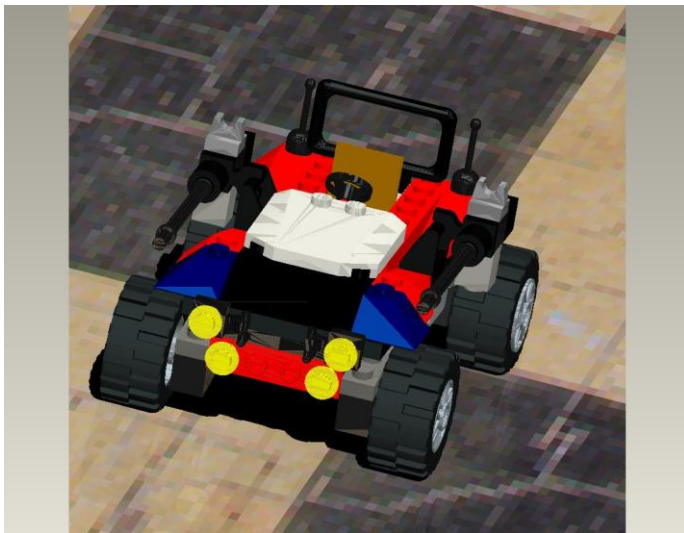
Jacquelyn Etter: A/C Compressor



Rummel Ferrer: Mountain Morph Bicycle Pump



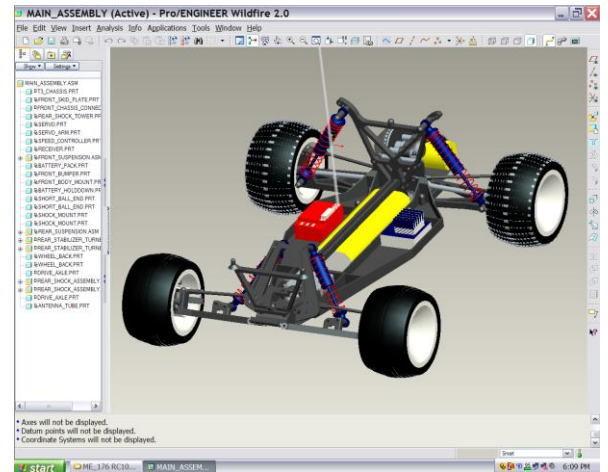
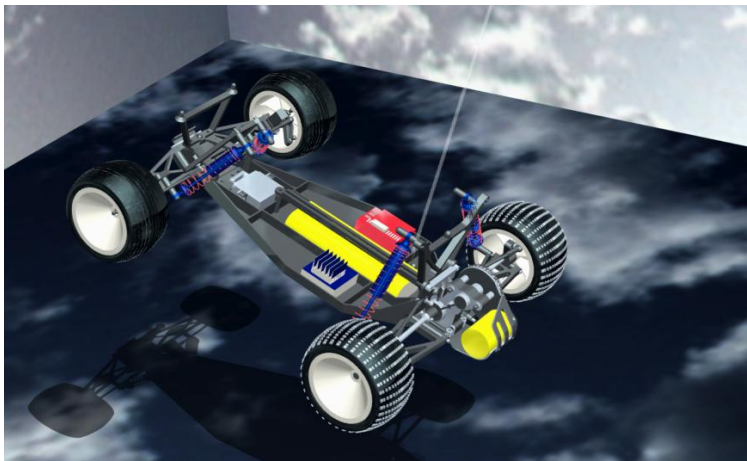
Charles Gentry: Honing Guide



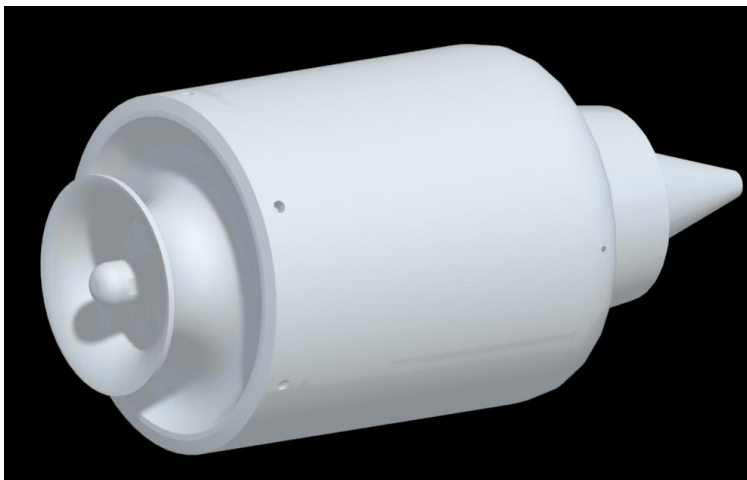
Bryson Korsboen: 4X4 Bulldog



Hung Lu: Lantern

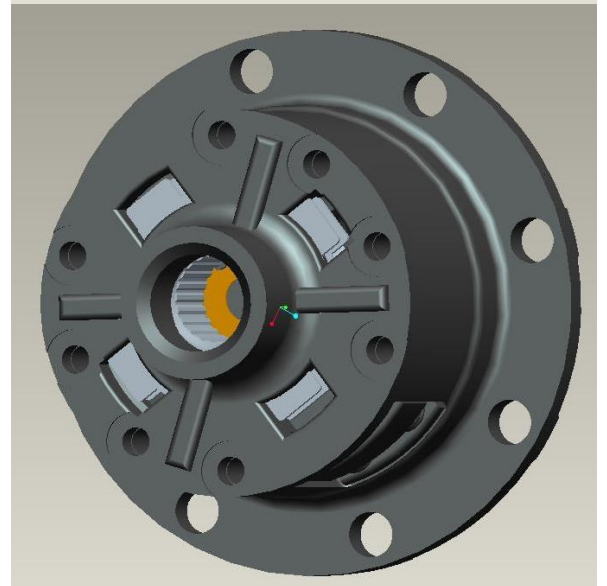
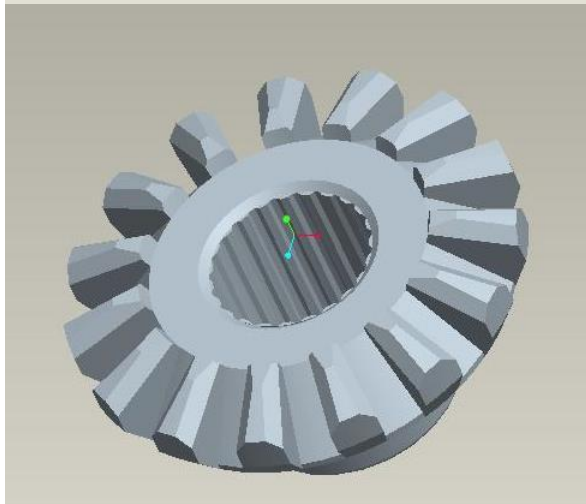
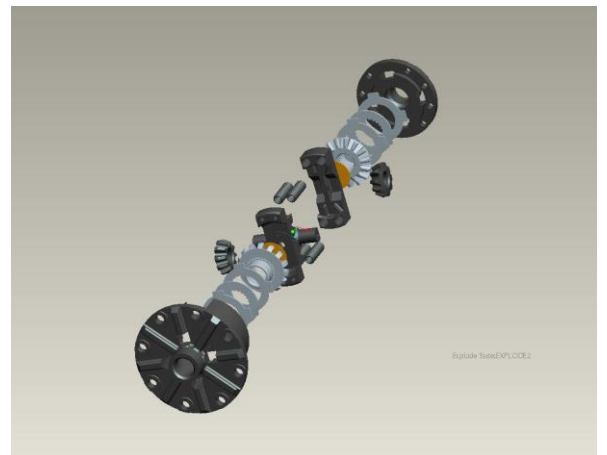


Ed Sisson & Darrell McMullen: RC10 T3 R/C Car

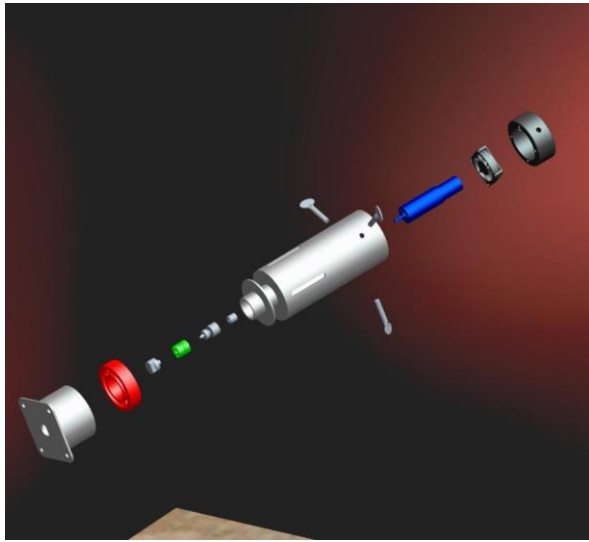




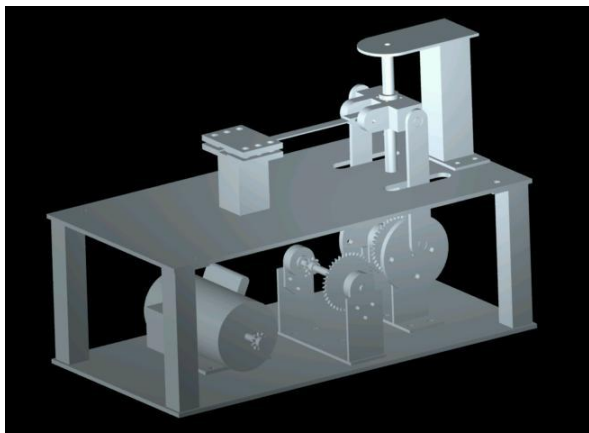
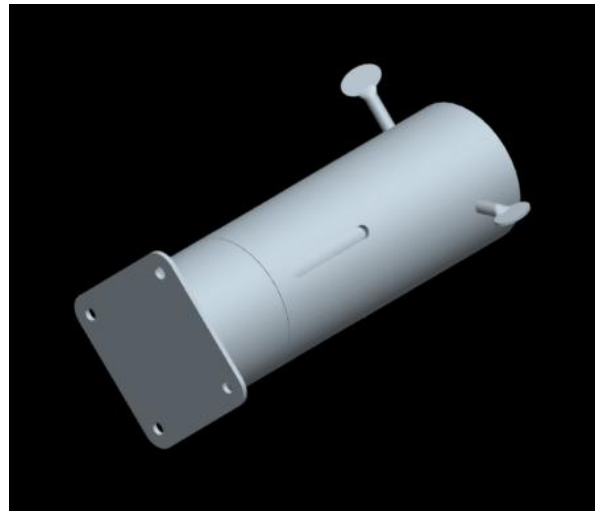
Brent Norton: Micro Gas Jet Turbine Engine



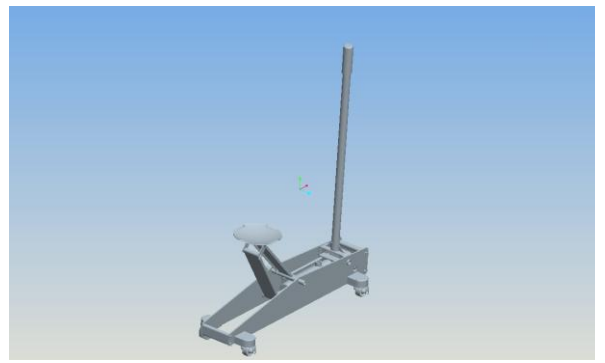
Teng Yang & Chris Onishi: Limited Slip Differential



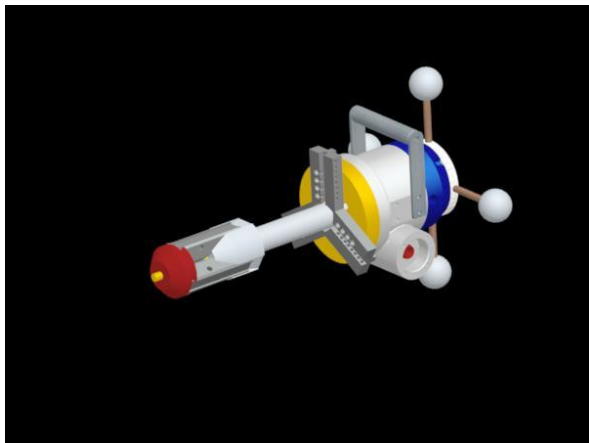
Justin Otero: Pan Mount Assembly



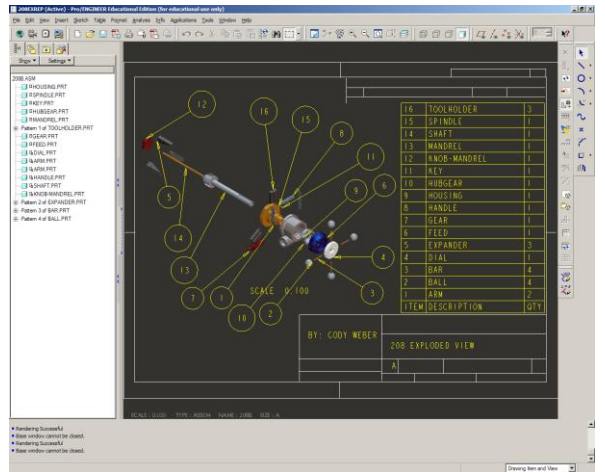
Hero Phong: Fatigue Tester

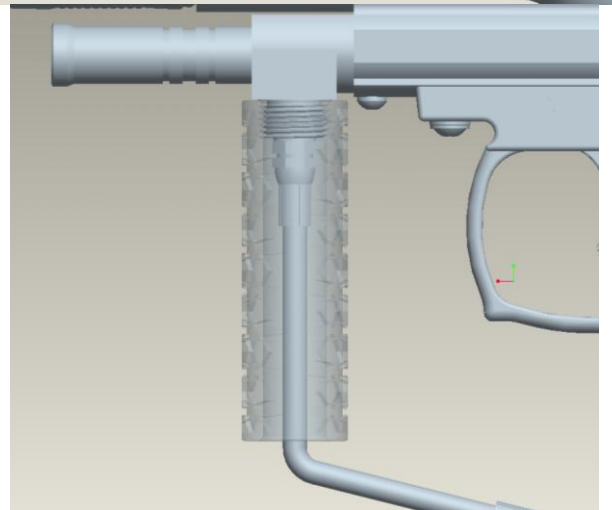
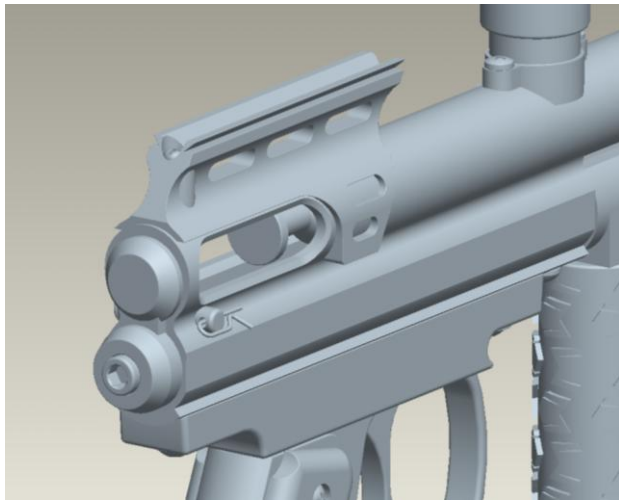
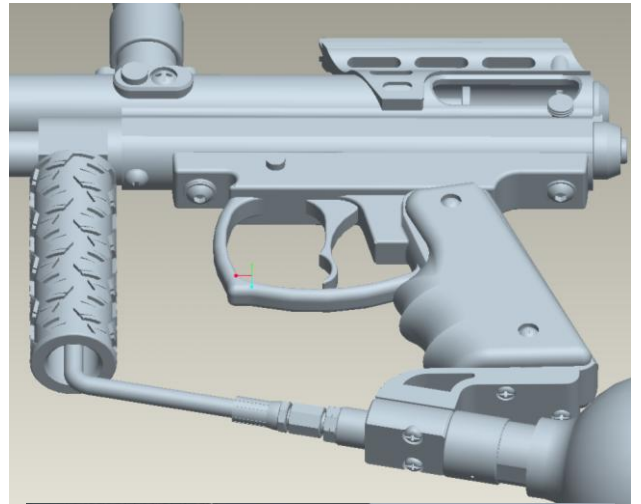


Pawan Sagar: Floorjack Assembly

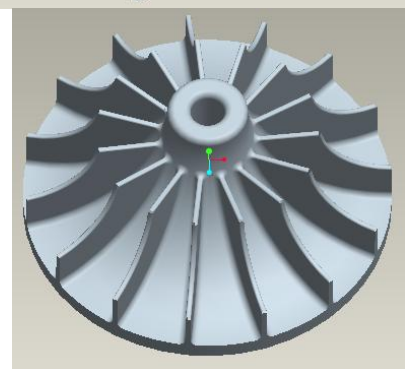
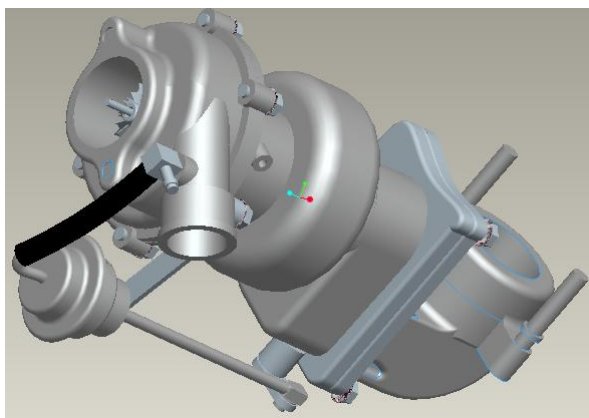
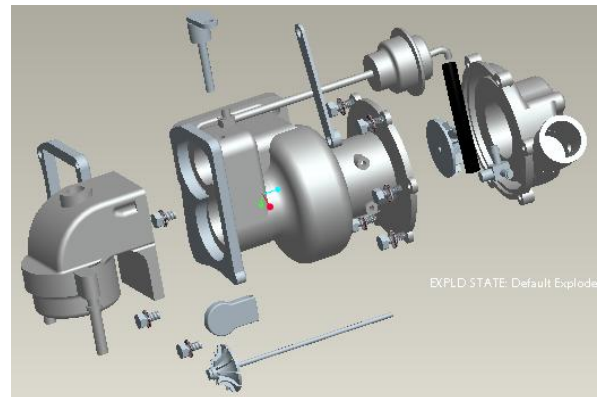
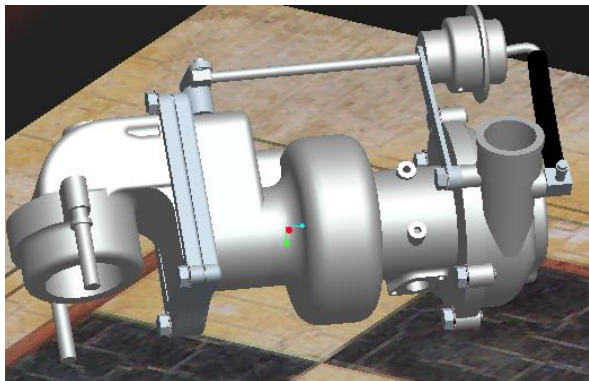


Cody Weber: Tri Tool





Ross Winn: Spyder Victor II paintball gun



Navid Rezaei & Juan Otaegui: Mitsubishi Evolution Turbo